

## High Productivity Cooking Gas Tilting Boiling Pan 300lt Freestanding, Hygienic Profile

ITEM # \_\_\_\_\_

MODEL # \_\_\_\_\_

NAME # \_\_\_\_\_

SIS # \_\_\_\_\_

AIA # \_\_\_\_\_


**586115 (PBOT30GDGO)**

 Gas Tilting Boiling Pan 300  
 liter - Freestanding,  
 Hygienic Profile, depth 1000  
 mm - 230 V/1N/50-60Hz

### Short Form Specification

#### Item No.

AISI 304 stainless steel construction. Deep drawn vessel in AISI 316 stainless steel. Insulated and counterbalanced lid. Motorized tilting with variable speed control. Pan can be tilted beyond 90° to completely empty the food. Robust multiple burners with electronic ignition and monitoring. Food is uniformly heated via the base and the side walls of the pan by an indirect heating system using integrally generated saturated steam at a maximum temperature of 125°C in a jacket with an automatic deaeration system. Safety valve avoids overpressure of the steam in the jacket. Safety thermostat protects against low water level in the double jacket. TOUCH control panel. SOFT function. Possibility to store recipes in single or multiphase cooking process, with different temperature settings. Built in temperature sensors for precise control of cooking process. IPX6 water resistant. Configuration: Free-standing or Standing against a wall. Installation options (not included): floor mounted on 200mm high feet or a plinth which can be either steel or masonry construction.

### Main Features

- Kettle is suitable to boil, steam, poach, braise or simmer all kinds of produce.
- Isolated upper well rim avoids risk of harm for the user.
- Ergonomic vessel dimensions, with a large diameter and shallow depth facilitates stirring and gentle food handling.
- Robust, circular burner with electronic ignition and monitoring.
- Edge of the large pouring lip can be equipped with a strainer (option).
- Motorized, variable pan tilting with "SOFT STOP". Tilting and pouring speeds can be precisely adjusted. Pan can be tilted over 90° to facilitate pouring and cleaning operations.
- Built in temperature sensor to precisely control the cooking process.
- USB connection to easily update the software, upload/download recipes and download HACCP data.
- Max pressure of inner jacket at 1.7 bar; minimum working pressure at 1 bar. Allows temperature control between 50 and 110°C.
- IPX6 water resistant.

### Construction

- Cooking vessel in 1.4435 (AISI 316L) stainless steel featuring directional pouring lip. Double-jacket in 1.4404 (AISI 316L) stainless steel designed to operate at a pressure of 1.5 bar.
- External panelling and internal frame made of 1.4301 (AISI 304) stainless steel.
- Double-lined insulated lid in 1.4301 (AISI 304) stainless steel mounted on the cross beam of the unit, counterbalanced by a hinge that remains open in all positions.
- Safety valve avoids overpressure of the steam in the double jacket.
- Safety thermostat protects against low water level in the double jacket.
- Ergonomic and user friendly thanks to the high tilting position and the pouring lip design which allow to easily fill containers.
- Water mixing tap is available as optional accessory to make water filling and pan cleaning easier.
- Front-mounted inclined led "TOUCH" control panel with recessed deep drawn casing, features self-explanatory display functions which guide operator throughout the cooking process: simultaneous display of actual and set temperature as well as set cooking time and remaining cooking time; real time clock; "SOFT" control for gentle heating up for delicate food; 9 power simmering levels from

APPROVAL: \_\_\_\_\_

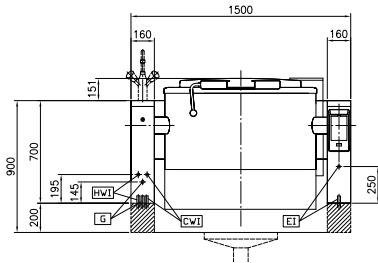
- gentle to heavy boiling; timer for deferred start; error display for quick trouble-shooting.
- Minimised presence of narrow gaps for easier cleaning of the sides to meet the highest hygiene standards.
  - Can be prearranged for energy optimisation or external surveillance systems (optional).
  - GuideYou Panel - activated by the user via settings - to easily follow the multiphase recipes, granting a proper and controlled cooking and a better appliance optimization.  
The system will provide maintenance reminders, in line with ESSENTIA program, helping the user to properly take care of the product, avoiding downtimes.
  - Highly-visible and bright led TOUCH control panel features user-friendly icons and intuitive self-explanatory command options. Display visualizes:
    - Actual and set temperature
    - Set and remaining cooking time
    - Pre-heating phase (if activated)
    - GuideYou Panel (if activated)
    - Deferred start
    - Soft Function to reach the target temperature smoothly
    - 9 Power Control levels from simmering to fierce boiling
    - Pressure mode (in pressure models)
    - Stirrer ON/OFF settings (in round boiling models)
    - Error codes for quick trouble-shooting
    - Maintenance reminders
  - Possibility to store recipes in single or multiphase cooking process, with different temperature settings.
  - 98% recyclable by weight; packaging material free of toxic substances.
- ### User Interface & Data Management
- Connectivity ready for real time access to connected appliances from remote and data monitoring (requires optional accessory - contact the Company for more details).
- ### Optional Accessories
- |   |            |   |  |            |   |
|---|------------|---|--|------------|---|
| • Strainer for 300, 400 and 500lt tilting boiling pans                              | PNC 910006 | □ | • Stainless steel plinth for tilting units - freestanding - factory fitted   | PNC 911813 | □ |
| • Base plate for 300, 400 and 500lt boiling pans                                    | PNC 910036 | □ | • Food tap strainer for tilting boiling pans   | PNC 911966 | □ |
| • Measuring rod for 300lt tilting boiling pans                                      | PNC 910047 | □ | • C-board (length 1500mm) for tilting units - factory fitted   | PNC 912187 | □ |
| • Strainer for dumplings for 300, 400 and 500lt tilting boiling pans                | PNC 910057 | □ | • Power Socket, CEE16, built-in, 16A/400V, IP67, red-white - factory fitted  | PNC 912468 | □ |
| • Scraper for dumpling strainer for boiling and braising pans                       | PNC 910058 | □ | • Power Socket, CEE32, built-in, 32A/400V, IP67, red-white - factory fitted  | PNC 912469 | □ |
| • Food tap strainer rod for stationary round boiling pans                           | PNC 910162 | □ | • Power Socket, SCHUKO, built-in, 16A/230V, IP68, blue-white - factory fitted  | PNC 912470 | □ |
| • Bottom plate with 2 feet, 200mm for tilting units (height 700mm) - factory fitted | PNC 911475 | □ | • Power Socket, TYP23, built-in, 16A/230V, IP55, black - factory fitted  | PNC 912471 | □ |
| • Stainless steel plinth for tilting units - against wall - factory fitted          | PNC 911812 | □ | • Power Socket, TYP25, built-in, 16A/400V, IP55, black - factory fitted  | PNC 912472 | □ |
|   |            |   | • Power Socket, SCHUKO, built-in, 16A/230V, IP55, black - factory fitted   | PNC 912473 | □ |
|   |            |   | • Power Socket, CEE16, built-in, 16A/230V, IP67, blue-white - factory fitted   | PNC 912474 | □ |
|   |            |   | • Power Socket, TYP23, built-in, 16A/230V, IP54, blue - factory fitted   | PNC 912475 | □ |
|   |            |   | • Power Socket, SCHUKO, built-in, 16A/230V, IP54, blue - factory fitted  | PNC 912476 | □ |
|   |            |   | • Power Socket, TYP25, built-in, 16A/400V, IP54, red-white - factory fitted  | PNC 912477 | □ |
|   |            |   | • Panelling for plinth recess (depth from 70 to 270mm) for tilting units - factory fitted (Deutschland, Austria, Switzerland) - factory fitted | PNC 912479 | □ |
|   |            |   | • Manometer for tilting boiling pans - factory fitted  | PNC 912490 | □ |
|   |            |   | • Mainswitch 25A, 2.5mm <sup>2</sup> for gas units - factory fitted  | PNC 912702 | □ |
|   |            |   | • Rear closing kit for tilting units - against wall - factory fitted   | PNC 912707 | □ |
|   |            |   | • Automatic water filling (hot and cold) for tilting units - to be ordered with water mixer - factory fitted                                   | PNC 912735 | □ |
|   |            |   | • Rear closing kit for tilting units - island type - factory fitted  | PNC 912747 | □ |
|   |            |   | • Lower rear backpanel for tilting units with or without backsplash - factory fitted   | PNC 912771 | □ |
|   |            |   | • Spray gun for tilting units - freestanding (height 700mm) - factory fitted   | PNC 912776 | □ |
|   |            |   | • Food tap 2" for tilting boiling pans (PBOT) - factory fitted   | PNC 912779 | □ |
|   |            |   | • Emergency stop button - factory fitted   | PNC 912784 | □ |



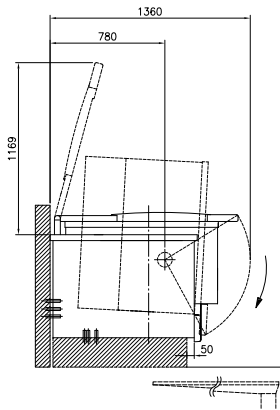
- Mixing tap with drip stop, two knobs, 815mm height, 600mm swivelling depth for PBOT/PFET - factory fitted PNC 913554
- Mixing tap with drip stop, two knobs, 815mm height, 450mm swivelling depth for PBOT/PFET - factory fitted PNC 913555
- Mixing tap with drip stop, two knobs, 685mm height, 600mm swivelling depth for PBOT/PFET - factory fitted PNC 913556
- Mixing tap with drip stop, two knobs, 685mm height, 450mm swivelling depth for PBOT/PFET - factory fitted PNC 913557
- Mixing tap with two knobs, 520mm height, 600mm swivelling depth for PXXT- KWC - factory fitted PNC 913567
- Mixing tap with one lever, 564mm height, 450mm swivelling depth for PXXT- KWC - factory fitted PNC 913568
- Connectivity kit for ProThermetic Boiling and Braising Pans ECAP - factory fitted PNC 913577



Front

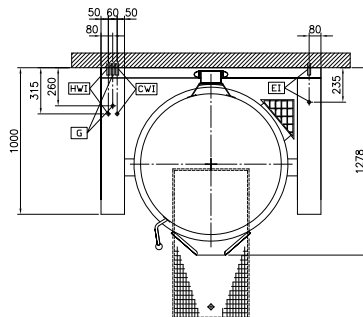


Side



- CWI = Cold Water inlet 1 (cleaning)
- EI = Electrical inlet (power)
- G = Gas connection
- HWI = Hot water inlet

Top



### Electric

Supply voltage: 230 V/1N ph/50/60 Hz  
 Total Watts: 0.2 kW

### Gas

Gas Power: 45 kW

### Installation:

Type of installation: FS on concrete base; FS on feet; On base; Standing against wall

### Key Information:

Working Temperature MIN: 50 °C  
 Working Temperature MAX: 110 °C  
 Vessel (round) diameter: 900 mm  
 Vessel (round) depth: 570 mm  
 External dimensions, Width: 1500 mm  
 External dimensions, Depth: 1000 mm  
 External dimensions, Height: 700 mm  
 Net weight: 390 kg  
 Configuration: Round; Tilting  
 Net vessel useful capacity: 300 lt  
 Tilting mechanism: Automatic  
 Double jacketed lid: ✓  
 Heating type: Indirect